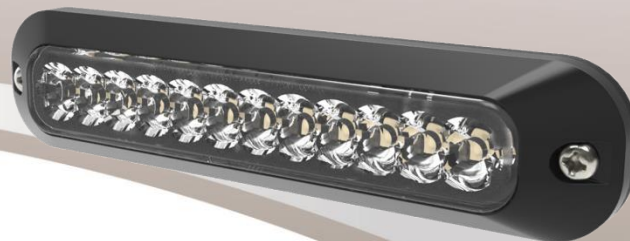


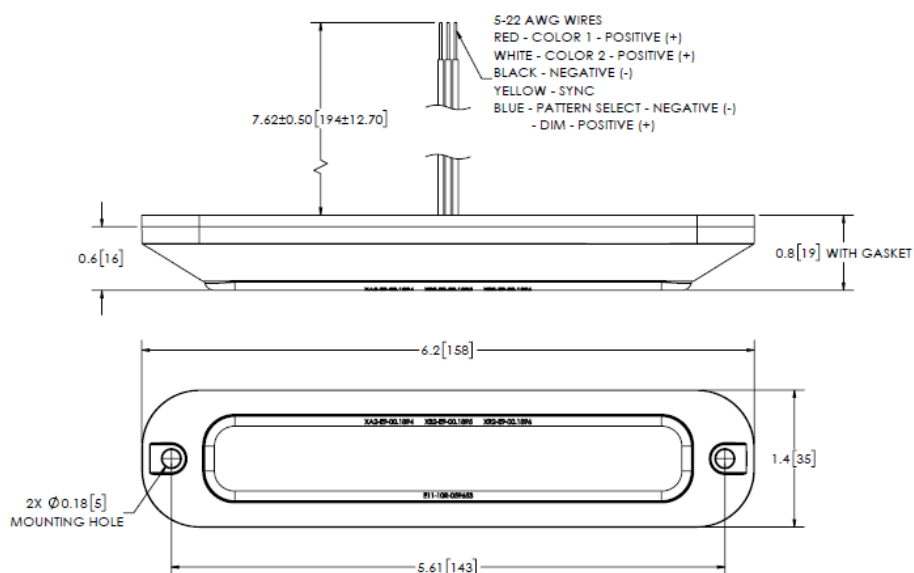


XTP6 Surface Mount LED- Blue/White

C3-XT6MC-BW



Single Stack 12 Head LED



Key benefits

- > 12 powerful LEDs for excellent results
- > Ultra-full-fledged flash units

characterize

- > Innovative and sustainable design
- > Aluminium housing finished with black powder coating
- > Lens in polycarbonate (impact resistant)
- > Mounting kit included
- > Syncable
- > IP67

Specifications

- > Operation Voltage: 12/24VDC (0;8A)
- > 2x6 high performance LEDs
- > 70 flash patterns
- > 80gr
- > Ambient temperature: -40°C to +65°C