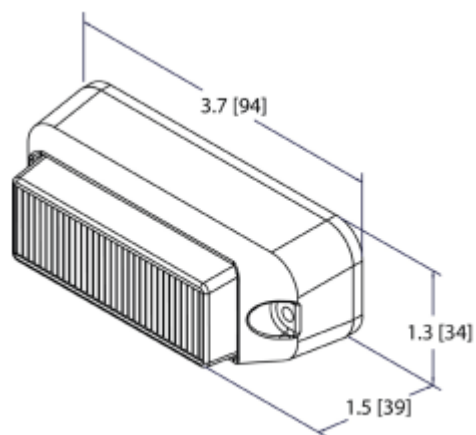




XT3 Surface Mount LED- Blue C3-XT3B



Single Stack 3 Head LED



Key benefits

- > 3 powerful LEDs for excellent results
- > Ultra-full-fledged flash units

characterize

- > Innovative and sustainable design
- > Aluminium housing finished with black powder coating
- > Lens in polycarbonate (impact resistant)
- > Mounting kit included
- > Syncable
- > IP67

Specifications

- > Operation Voltage: 12/24VDC (0;3A)
- > 3 high performance LEDs
- > Weight: 140gr
- > 14 flash patterns
- > Ambient temperature: -25°C to +65°C