



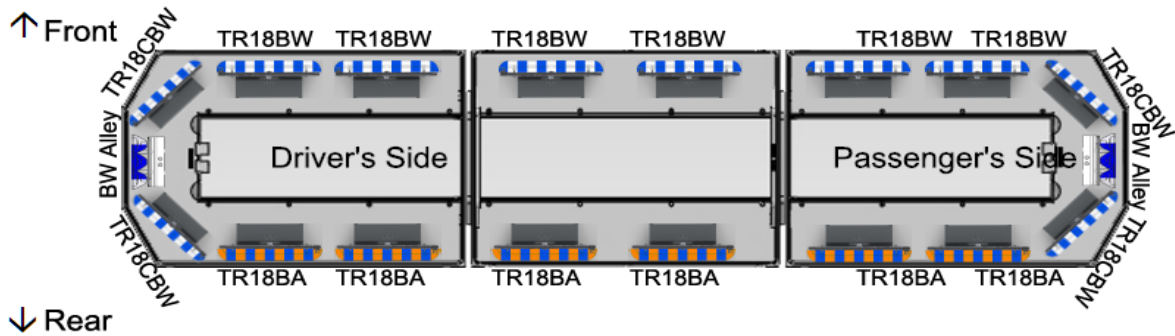
# LIGHTBAR SPECIFICATION SHEET

PART No: 14055

DESCRIPTION : 21TRPL52MC-C61321

Cable : Quick Disconnect with 22' Cable  
 Mounting Kit : Metal Mounting kit LX Kit

Upper Lenses



Wire Color	Function	Notes
GRN/BLK	Communication Searching beacon	connection7 adapter RJ45/molex8 intav
WHT/BLK	Communication Searching beacon	connection6 adapter RJ45/molex8 intav
BLU/BLK	Communication Searching beacon	connection5 adapter RJ45/molex8 intav
GRN/WHT	Communication Searching beacon	connection4 adapter RJ45/molex8 intav
WHT	Communication Searching beacon	connection3 adapter RJ45/molex8 intav
BLU/WHT	Communication Searching beacon	connection2 adapter RJ45/molex8 intav
BLK	Level 1 (R65)	
BLK/WHT	Alley Light Left	
RED	Arrowstick Left	
RED/WHT	Alley Light Right	
RED/BLK	Level 3 (Full Blue)	
ORG/BLK	Takedown Lights Steady Burn	
BLK/RED	Pattern Select	
GRN	Level 2 (Blue rear only)	
ORG	Arrowstick Right	
BLU	Lightbar DIM	
RED 1,5mm <sup>3</sup>	Positive Lightbar	
RED 1,5mm <sup>3</sup>	Positive Lightbar	
RED 1,5mm <sup>3</sup>	Positive Lightbar	
BLACK 1,5mm <sup>2</sup>	Ground	
BLACK 1,5mm <sup>2</sup>	Ground	
BLACK 1,5mm <sup>2</sup>	Ground	
BLACK 1,5mm <sup>2</sup>	Ground	

Notes:

- L1 = Level 1 (R65)
- L2 = Level 2 (Blue Rear Only)
- L3 = Level 3 (Full Blue Cycle Flash)
- L1 + L2 = Blue Front Only
- L1 + L3 = Level Blue Cycle Flash + Front White Cycle Flash
- all functions are positive inputs
- Dim function dims the complete lightbar