



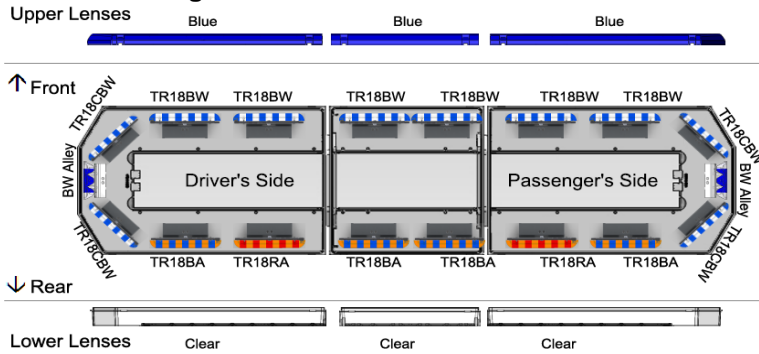
LIGHTBAR SPECIFICATION SHEET

PART No: 18153

DESCRIPTION : 21TRPL47MC-C142636

Cable : 35' Cable

Mounting Kit : Metal Mounting kit LX Kit



Wire Color	Function	Notes
GRN/BLK	Level 1 (R65)	connection7 adapter RJ45/molex8 intav
WHT/BLK	Level 2 (Blue Rear Only)	connection6 adapter RJ45/molex8 intav
BLU/BLK	Rear Cut-off	connection5 adapter RJ45/molex8 intav
GRN/WHT	Front Cut-off	connection4 adapter RJ45/molex8 intav
WHT	Arrowstik Flash	connection3 adapter RJ45/molex8 intav
BLU/WHT	Alley Light Flash	connection2 adapter RJ45/molex8 intav
BLK	Takedown Flash	
BLK/WHT	Alley Light Left	
RED	Arrowstik Left	
RED/WHT	Alley Light Right	
RED/BLK	Level 3 (Full Blue)	
ORG/BLK	Takedown Lights Steady Burn	
BLK/RED	Pattern Select	
GRN	Cruise Lights	
ORG	Arrowstik Right	
BLU	Lightbar DIM	
RED 1,5mm ³	Positive Lightbar	
RED 1,5mm ³	Positive Lightbar	
RED 1,5mm ³	Positive Lightbar	
BLACK 1,5mm ²	Ground	
BLACK 1,5mm ²	Ground	
BLACK 1,5mm ²	Ground	
BLACK 1,5mm ²	Ground	

- L1 = Level 1 (R65)
- L3 = Level 3 (Full Amber Cycle Flash)
- L1 + L3 = Level Blue Cycle Flash + Front White Cycle Flash
- L2 + L3 = Level Blue Cycle Flash + Rear Red Cycle Flash
- L1 + L2 + L3 = Level Blue Cycle Flash + Front White Cycle Flash + Rear Red Cycle Flash
- all functions are positive inputs and Dim function dims the complete lightbar