



Installation and Operation Instructions

LED Hide-A-Blast™ (Multicolor) Exterior Lights

Introduction:

The 4-Pack Hide-A-Blast multicolor lights are for the emergency vehicle market. The lights are to be connected through the Controller unit supplied in the kit to a switch connected directly to the 12V or 24V power source in the vehicle.



IMPORTANT! Read all instructions before installing and using. Installer: This manual must be delivered to the end user.



WARNING!

The use of this or any warning device does not ensure that all drivers can or will observe or react to an emergency warning signal. Never take the right-of-way for granted. It is your responsibility to be sure you can proceed safely before entering an intersection, driving against traffic, responding at a high rate of speed, or walking on or around traffic lanes. The effectiveness of this warning device is highly dependent upon correct mounting and wiring. Read and follow the manufacturer's instructions before installing or using this device. The vehicle operator should insure daily that all features of the device operate correctly. In use, the vehicle operator should insure the projection of the warning signal is not blocked by vehicle components (i.e.: open trunks or compartment doors), people, vehicles, or other obstructions. This equipment is intended for use by authorized personnel only. It is the user's responsibility to understand and obey all laws regarding emergency warning devices. The user should check all applicable city, state and federal laws and regulations. Code 3, Inc., assumes no liability for any loss resulting from the use of this warning device. Proper installation is vital to the performance of this warning device and the safe operation of the emergency vehicle. It is important to recognize that the operator of the emergency vehicle is under psychological and physiological stress caused by the emergency situation. The warning device should be installed in such a manner as to: A) Not reduce the output performance of the system, B) Place the controls within convenient reach of the operator so that he can operate the system without losing eye contact with the roadway. Emergency warning devices often require high electrical voltages and/or currents. Properly protect and use caution around live electrical connections. Grounding or shorting of electrical connections can cause high current arcing, which can cause personal injury and/or severe vehicle damage, including fire. **PROPER INSTALLATION COMBINED WITH OPERATOR TRAINING IN THE PROPER USE OF EMERGENCY WARNING DEVICES IS ESSENTIAL TO INSURE THE SAFETY OF EMERGENCY PERSONNEL AND THE PUBLIC.**



WARNING!

Failure to install or use this product according to manufacturers recommendations may result in property damage, serious injury, and/or death to those you are seeking to protect!



Do not install and/or operate this safety product unless you have read and understand the safety information contained in this manual.

1. Proper installation combined with operator training in the use, care, and maintenance of emergency warning devices are essential to ensure the safety of emergency personnel and the public.
2. Emergency warning devices often require high electrical voltages and/or currents. Exercise caution when working with live electrical connections.
3. This product must be properly grounded. Inadequate grounding and/or shorting of electrical connections can cause high current arcing, which can cause personal injury and/or severe vehicle damage, including fire.
4. Proper placement and installation is vital to the performance of this warning device. Install this product so that output performance of the system is maximized and the controls are placed within convenient reach of the operator so that s/he can operate the system without losing eye contact with the roadway.
5. It is the responsibility of the vehicle operator to ensure daily that all features of this product work correctly. In use, the vehicle operator should ensure the projection of the warning signal is not blocked by vehicle components (i.e., open trunks or compartment doors), people, vehicles or other obstructions.
6. The use of this or any other warning device does not ensure all drivers can or will observe or react to an emergency warning signal. Never take the right-of-way for granted. It is your responsibility to be sure you can proceed safely before entering an intersection, drive against traffic, respond at a high rate of speed, or walk on or around traffic lanes.
7. This equipment is intended for use by authorized personnel only. The user is responsible for understanding and obeying all laws regarding emergency warning devices. Therefore, the user should check all applicable city, state, and federal laws and regulations. The manufacturer assumes no liability for any loss resulting from the use of this warning device.

Unpacking and Pre-Installation:

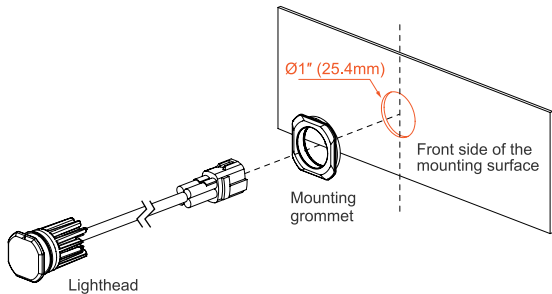
Carefully remove the hardware, taking care not to scratch the lens, and inspect for transit damage. Report any damage to the carrier and keep the shipping carton. Test the lights before installation. To test, touch the black wire to the ground and the red wire to + VDC. If problems occur, contact the factory.

Installation and Mounting:

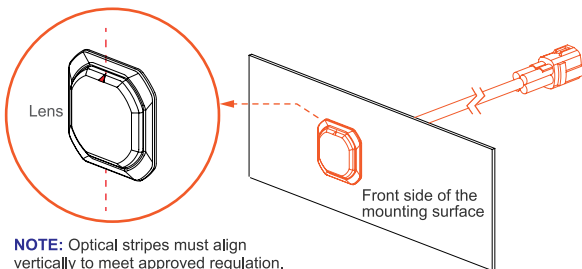
Flush Mount:

- 1 Select a mounting location and drill one 1" (25.4mm) cut-out.

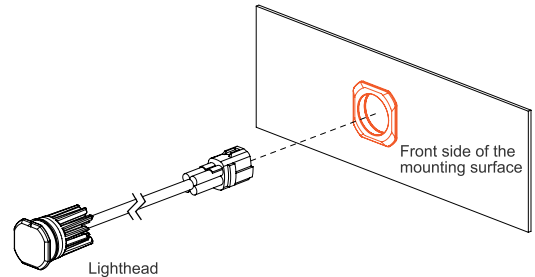
NOTE: Mounting surface thickness @ 0.8~2.0mm



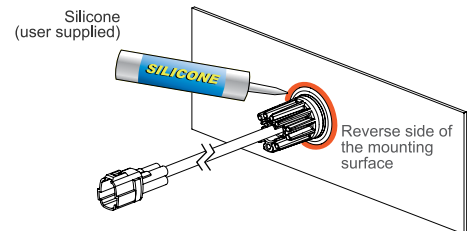
- 3 Ensure that triangle mark on the lens is aligned vertically.



- 2 From the front, install MOUNTING GROMMET onto the cut-out, and then insert the LIGHTHEAD.

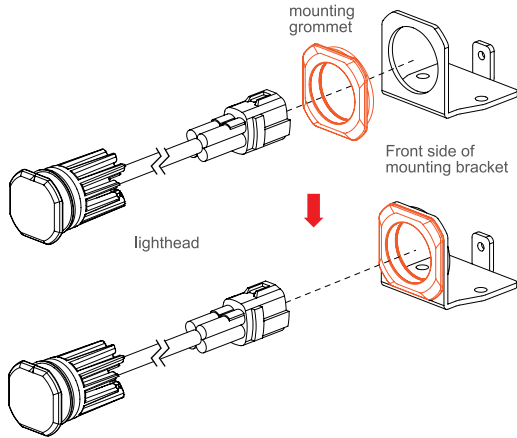


- 4 Where necessary, apply silicone around the reverse side to prevent from rotating.

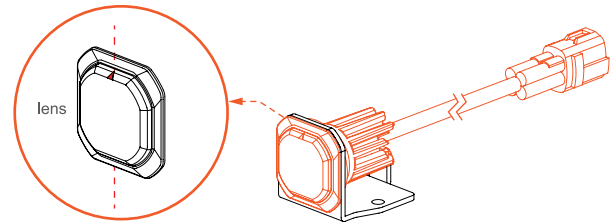


Bracket Mount (sold separately):

1 From the front, install the MOUNTING GROMMET onto the BRACKET, and insert the LIGHTHEAD.

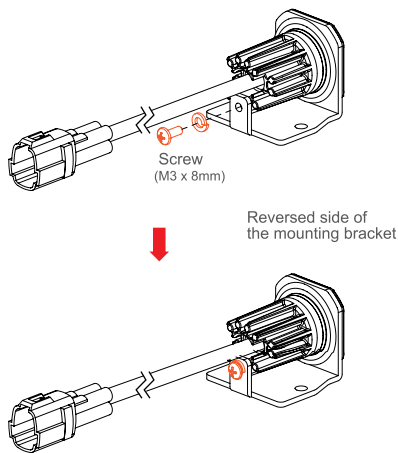


2 Ensure that triangle mark on the lens is aligned vertically.

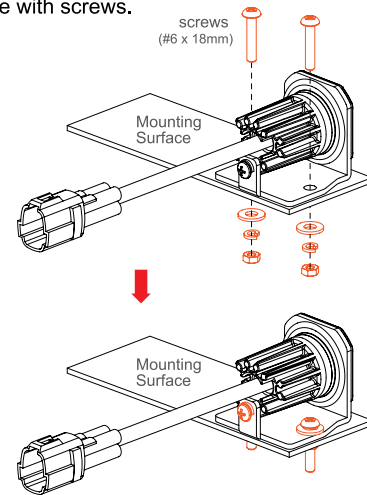


NOTE: Optical stripes must align vertically to meet approved regulation.

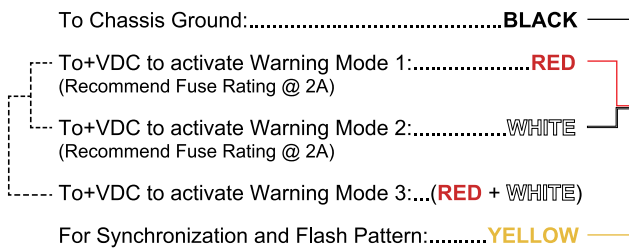
3 Secure the LIGHTHEAD onto the BRACKET with a screw.



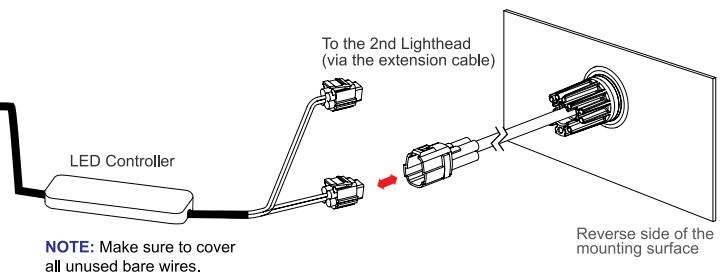
4 Secure the BRACKET onto the desired mounting surface with screws.



Wiring and Functions:



NOTE: Each warning mode may be set to different Flash Pattern & Colour Mode.



Operation:

For Synchronization:

Connect **YELLOW** wires of all lighthoods together for synchronization.
(All the lighthoods should be set to the same Flash Pattern)

For Warning Colour Mode:

Each Warning Mode (**RED**, **WHITE** or **RED+WHITE**) may be set to warning in ,  or . To change Warning Colour Mode:

1. Choose the desired warning mode to change and apply +VDC to its activation wire (**RED**, **WHITE** or **RED+WHITE**) with **YELLOW** wire simultaneously to enter *Setting Mode*; lighthouse will display short flashes in its current Colour Mode.
 - Colour 1 (Warning Mode 1 Pre-set)
 - Colour 2 (Warning Mode 2 Pre-set)
 - Colour 1 alt. 2 (Warning Mode 3 Pre-set)
2. Remove **YELLOW** wire from +VDC and momentarily apply to +VDC again to change Colour Mode.
3. Once in desired Colour Mode, save and Exit *Setting Mode* by powering off the lighthouse.

For Flash Pattern:

While a warning mode is activated, momentarily apply +VDC to **YELLOW** wire:

- once for next pattern
- quick three times to reset to FP#1 (see flash pattern chart)

Wiring Two Kits Together:

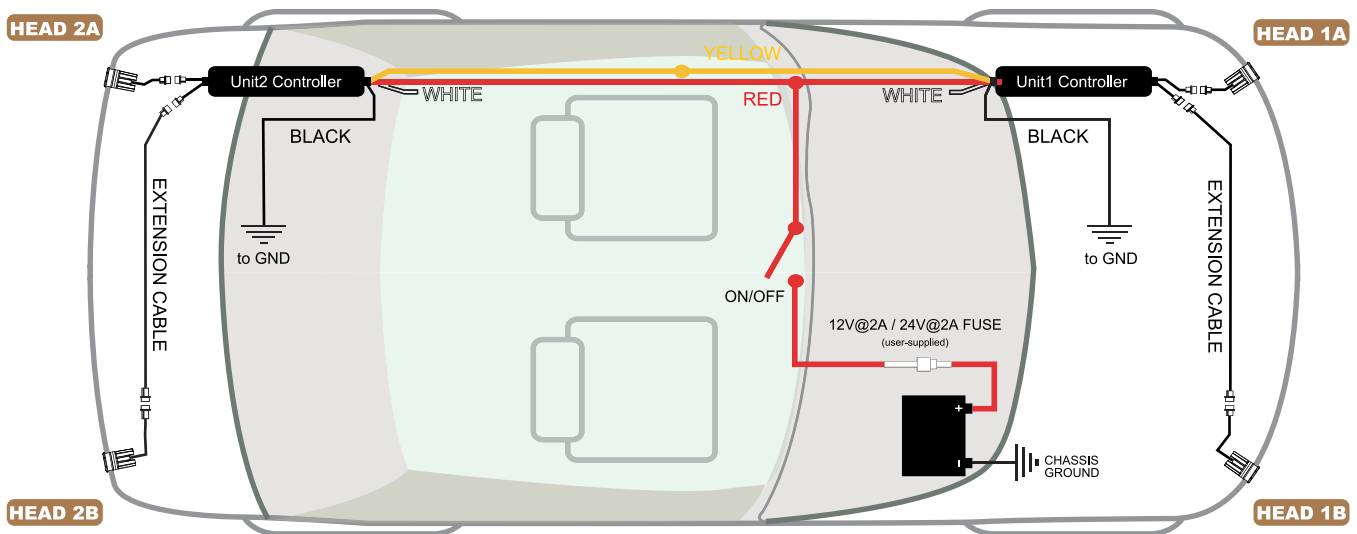
Below is a schematic diagram for wiring 2 kits together.

Yellow wires from both controllers must be connected together for synchronization.

- When Flash Pattern 1~12 is selected: All Heads will flash simultaneously.
- When Flash Pattern 15~26 is selected: Head 1A&2A will flash alternatively with Head 1B&2B.

**refer to Flash Pattern chart on opposite page.*

NOTE: To have Head 1A&2B alternate with 1B&2A, simply reverse the lighthouse outlets on one of the Controllers; (both kits must be in Flash Pattern 15~26).



NOTE: The mounting area for controllers varies from vehicle to vehicle.

HB4PAKMC-XX FLASH PATTERN CHART

		SAE				TITLE 13			ECE R65		
PATTERN	FLASH PATTERNS	RED	AMBER	BLUE	WHITE	RED	AMBER	BLUE	RED	AMBER	BLUE
1	Double [2Hz]	Class 1	Class 1	Class 1	Class 1	N/C	N/C	N/C	N/C	N/C	N/C
2	Single [2Hz]	Class 1	Class 1	Class 1	Class 1	N/C	N/C	N/C	N/C	N/C	N/C
3	Triple [2Hz]	Class 2	Class 2	Class 1	Class 2	N/C	N/C	N/C	N/C	N/C	N/C
4	Quad [2Hz]	Class 2	Class 2	Class 1	Class 2	N/C	N/C	N/C	N/C	N/C	N/C
5	Single	Class 1	Class 1	Class 1	Class 1	N/C	N/C	N/C	N/C	N/C	N/C
6	Double	Class 1	Class 1	Class 1	Class 1	N/C	N/C	N/C	N/C	N/C	N/C
7	Quad	Class 2	Class 2	Class 1	Class 2	N/C	N/C	N/C	N/C	N/C	N/C
8	Quint	Class 1	Class 1	Class 1	Class 1	N/C	N/C	N/C	N/C	N/C	N/C
9	Mega	N/C	N/C	N/C	N/C	N/C	N/C	N/C	N/C	N/C	N/C
10	Ultra	Class 2	Class 1	Class 1	Class 2	N/C	N/C	N/C	N/C	N/C	N/C
11	Single-Quad	N/C	N/C	N/C	N/C	N/C	N/C	N/C	N/C	N/C	N/C
12	Single H/L	N/C	N/C	N/C	N/C	N/C	N/C	N/C	N/C	N/C	N/C
13	Steady	N/C	N/C	N/C	N/C	N/C	N/C	N/C	N/C	N/C	N/C
14	Random	N/C	N/C	N/C	N/C	N/C	N/C	N/C	N/C	N/C	N/C
15	Double [2Hz] (SPLIT)	Class 1	Class 1	Class 1	Class 1	N/C	N/C	N/C	N/C	N/C	N/C
16	Single [2Hz] (SPLIT)	Class 1	Class 1	Class 1	Class 1	N/C	N/C	N/C	N/C	N/C	N/C
17	Triple [2Hz] (SPLIT)	Class 2	Class 2	Class 1	Class 2	N/C	N/C	N/C	N/C	N/C	N/C
18	Quad [2Hz] (SPLIT)	Class 2	Class 2	Class 1	Class 2	N/C	N/C	N/C	N/C	N/C	N/C
19	Single (SPLIT)	Class 1	Class 1	Class 1	Class 1	N/C	N/C	N/C	N/C	N/C	N/C
20	Double (SPLIT)	Class 1	Class 1	Class 1	Class 1	N/C	N/C	N/C	N/C	N/C	N/C
21	Quad (SPLIT)	Class 2	Class 2	Class 1	Class 2	N/C	N/C	N/C	N/C	N/C	N/C
22	Quint (SPLIT)	Class 1	Class 1	Class 1	Class 1	N/C	N/C	N/C	N/C	N/C	N/C
23	Mega (SPLIT)	N/C	N/C	N/C	N/C	N/C	N/C	N/C	N/C	N/C	N/C
24	Ultra (SPLIT)	Class 2	Class 1	Class 1	Class 2	N/C	N/C	N/C	N/C	N/C	N/C
25	Single-Quad (SPLIT)	N/C	N/C	N/C	N/C	N/C	N/C	N/C	N/C	N/C	N/C
26	Single H/L (SPLIT)	N/C	N/C	N/C	N/C	N/C	N/C	N/C	N/C	N/C	N/C

Notes:

Notes:

Manufacturer Limited Warranty Policy:

Manufacturer warrants that on the date of purchase this product will conform to Manufacturer's specifications for this product (which are available from the Manufacturer upon request). This Limited Warranty extends for Sixty (60) months from the date of purchase.

DAMAGE TO PARTS OR PRODUCTS RESULTING FROM TAMPERING, ACCIDENT, ABUSE, MISUSE, NEGLIGENCE, UNAPPROVED MODIFICATIONS, FIRE OR OTHER HAZARD; IMPROPER INSTALLATION OR OPERATION; OR NOT BEING MAINTAINED IN ACCORDANCE WITH THE MAINTENANCE PROCEDURES SET FORTH IN MANUFACTURER'S INSTALLATION AND OPERATING INSTRUCTIONS Voids THIS LIMITED WARRANTY.

Exclusion of Other Warranties:

MANUFACTURER MAKES NO OTHER WARRANTIES, EXPRESS OR IMPLIED. THE IMPLIED WARRANTIES FOR MERCHANTABILITY, QUALITY OR FITNESS FOR A PARTICULAR PURPOSE, OR ARISING FROM A COURSE OF DEALING, USAGE OR TRADE PRACTICE ARE HEREBY EXCLUDED AND SHALL NOT APPLY TO THE PRODUCT AND ARE HEREBY DISCLAIMED, EXCEPT TO THE EXTENT PROHIBITED BY APPLICABLE LAW. ORAL STATEMENTS OR REPRESENTATIONS ABOUT THE PRODUCT DO NOT CONSTITUTE WARRANTIES.

Remedies and Limitation of Liability:

MANUFACTURER'S SOLE LIABILITY AND BUYER'S EXCLUSIVE REMEDY IN CONTRACT, TORT (INCLUDING NEGLIGENCE), OR UNDER ANY OTHER THEORY AGAINST MANUFACTURER REGARDING THE PRODUCT AND ITS USE SHALL BE, AT MANUFACTURER'S DISCRETION, THE REPLACEMENT OR REPAIR OF THE PRODUCT, OR THE REFUND OF THE PURCHASE PRICE PAID BY BUYER FOR NON-CONFORMING PRODUCT. IN NO EVENT SHALL MANUFACTURER'S LIABILITY ARISING OUT OF THIS LIMITED WARRANTY OR ANY OTHER CLAIM RELATED TO THE MANUFACTURER'S PRODUCTS EXCEED THE AMOUNT PAID FOR THE PRODUCT BY BUYER AT THE TIME OF THE ORIGINAL PURCHASE. IN NO EVENT SHALL MANUFACTURER BE LIABLE FOR LOST PROFITS, THE COST OF SUBSTITUTE EQUIPMENT OR LABOR, PROPERTY DAMAGE, OR OTHER SPECIAL, CONSEQUENTIAL, OR INCIDENTAL DAMAGES BASED UPON ANY CLAIM FOR BREACH OF CONTRACT, IMPROPER INSTALLATION, NEGLIGENCE, OR OTHER CLAIM, EVEN IF MANUFACTURER OR A MANUFACTURER'S REPRESENTATIVE HAS BEEN ADVISED OF THE POSSIBILITY OF SUCH DAMAGES. MANUFACTURER SHALL HAVE NO FURTHER OBLIGATION OR LIABILITY WITH RESPECT TO THE PRODUCT OR ITS SALE, OPERATION AND USE, AND MANUFACTURER NEITHER ASSUMES NOR AUTHORIZES THE ASSUMPTION OF ANY OTHER OBLIGATION OR LIABILITY IN CONNECTION WITH SUCH PRODUCT.

This Limited Warranty defines specific legal rights. You may have other legal rights which vary from jurisdiction to jurisdiction. Some jurisdictions do not allow the exclusion or limitation of incidental or consequential damages.

Product Returns:

If a product must be returned for repair or replacement*, please contact our factory to obtain a Return Goods Authorization Number (RGA number) before you ship the product to Code 3®, Inc. Write the RGA number clearly on the package near the mailing label. Be sure you use sufficient packing materials to avoid damage to the product being returned while in transit.

*Code 3®, Inc. reserves the right to repair or replace at its discretion. Code 3®, Inc. assumes no responsibility or liability for expenses incurred for the removal and /or reinstallation of products requiring service and/or repair.; nor for the packaging, handling, and shipping; nor for the handling of products returned to sender after the service has been rendered.



10986 North Warson Road
St. Louis, MO 63114

Technical Service

(314) 996-2800

c3_tech_support@code3esg.com

www.code3esg.com

An ECCO SAFETY GROUP™ Company

www.eccosafetygroup.com